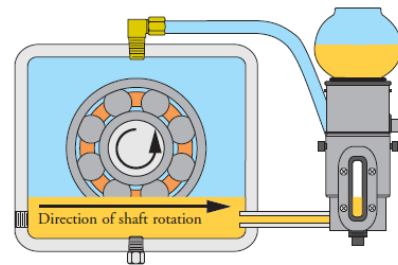
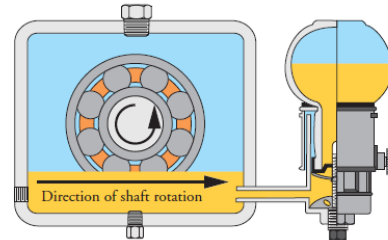


CONSTANT LEVEL OILERS OPTO-MATIC OILERS

TRICO Opto-matic oilers

The **Opto-Matic** oiler has been an industry standard for more than 75 years and is installed in millions of plants world-wide. Used to maintain accurate oil levels, the oiler has been utilized as a reliability tool in machine bearing housings. Stainless steel models provide long life in corrosive environments in the chemical, pulp and paper, and mining industries.

The **Opto-Matic closed system** oiler is designed for all types of equipment where a constant level in a housing must be maintained. The closed system design prevents contamination and spillage. The adjustable upper casting allows the oil level to be externally adjusted to the desired level. A 1/8 NPT port is provided for a vent line back to the housing to allow pressure balancing between the oiler and the housing.



Specifications

Max. operating 120°C Continuous temperature.

Materials

- reservoir One-Piece glass bottle
- casting Zinc or 304 stainless
- finish Zinc/Chromate Plate or Passivated
- internal Parts Zinc Plated Steel
- O-Ring Viton®

Oil identification - collars

Opto-Matic collars slide over the upper casting of Trico's Opto-Matic oilers and Closed system oilers for easy identification of lubricant type.

Color-code constant level oiler to match lubricant dispensing containers, such as Oil Safe®, to avoid cross-contamination and misapplication of lubricant.



service — systems — fluids — parts



API Standards

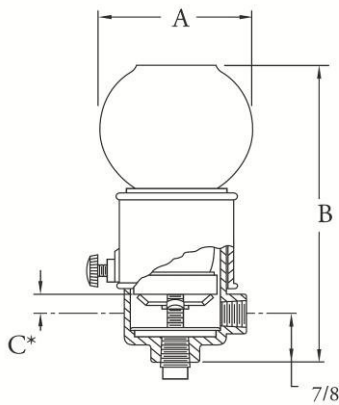
The American Petroleum Institute (API) is the most important association in America which represents all aspects of America's oil and natural gas industry.

The API standards for the petroleum, petrochemical and natural gas industries are recognized around the world.

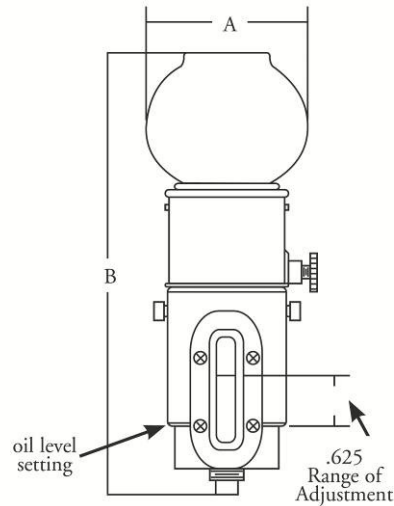
Our TRICO adjustable oilers with wire guard comply to the API standard 610



TRICO Opto-Matic open system oiler



TRICO Opto-Matic closed system oiler



Order references oilers en accesories

| order n° | system | reserv. (ml) | thread (NPT) | material | n° wire guard* | A (mm) | B _{min} (mm) | B _{max} (mm) | C _{min} (mm) | C _{max} (mm) |
|----------|--------|--------------|--------------|-----------|----------------|--------|-----------------------|-----------------------|-----------------------|-----------------------|
| 30003 | open | 115 | 1/4" | zinc | 30013 | 68 | 127 | 146 | 7 | 25 |
| 30005 | open | 235 | 1/4" | zinc | 30016 | 81 | 151 | 170 | 7 | 25 |
| 30010 | open | 475 | 1/4" | zinc | 30020 | 105 | 173 | 192 | 7 | 25 |
| 30213 | open | 115 | 1/4" | stainless | 30313 | 68 | 125 | 144 | 7 | 25 |
| 30215 | open | 235 | 1/4" | stainless | 30315 | 81 | 149 | 168 | 7 | 25 |
| 30220 | open | 475 | 1/4" | stainless | 30320 | 105 | 171 | 190 | 7 | 25 |
| 30203 | closed | 115 | 1/4" | zinc | 30013 | 68 | 179 | 198 | - | - |
| 30205 | closed | 235 | 1/4" | zinc | 30016 | 81 | 203 | 222 | - | - |
| 30210 | closed | 475 | 1/4" | zinc | 30020 | 105 | 225 | 244 | - | - |

* wire guards to be ordered separately. All oilers comply with API610 if used with wire guard.

Order references colored collars (pack of 10 pcs.)

| color | yellow | green | red | blue | purple | orange |
|----------|--------|-------|-------|-------|--------|--------|
| order n° | 37050 | 37051 | 37052 | 37053 | 37054 | 37055 |

